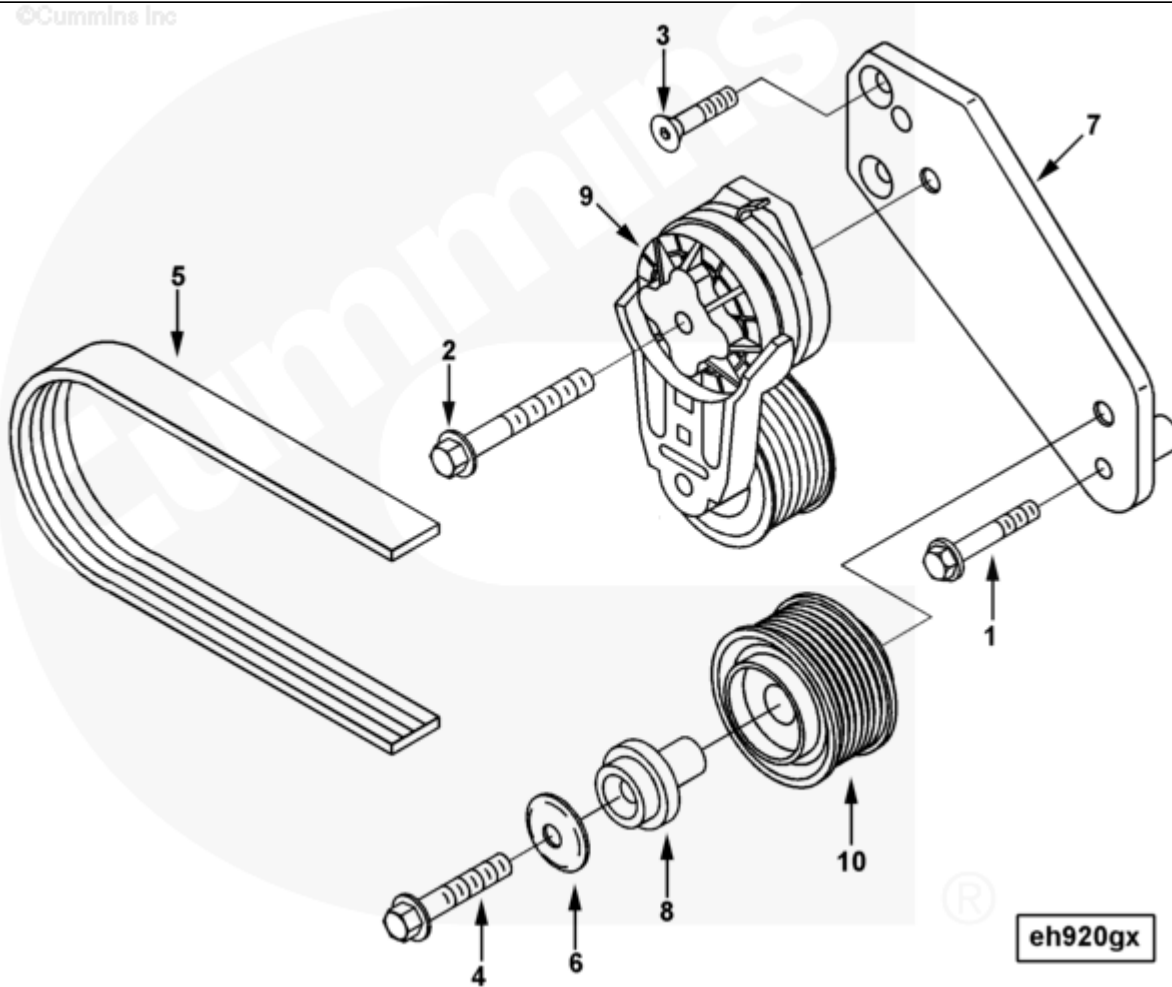




Parts Catalog - Option Detail

| Electronic Parts Catalog - Option Detail | | | | |
|--|--|---------|-----------|-----------|
| Option | Group | Graphic | Film Card | Date |
| EH97007-12 | 13.02.2 | eh920gx | Z | 26-JUL-04 |
| Engines | 6C8.3, C GAS PLUS CM556, G8.3, G8.3 CM558, GTA8.3 CM558, ISC CM2150, ISC CM554, ISC CM850, ISC8.3 CM2250, ISC8.3 G CM2180 C101, ISL CM2150, ISL CM554, ISL CM850, ISL G CM2180, ISL8.9 CM2150 L110, ISL8.9 CM2880 L112, ISL9 CM2150 SN, ISL9 CM2250, ISL9 CM2350 L101, ISL9 CM2350 L111, ISLE4 CM850, L GAS PLUS CM556, L8.9, L8.9 L121, L8.9G CMOH2.0 L125B, L9 CM2350 L116B, L9 CM2350 L119B, L9 CM2350 L120C, L9 CM2350 L123B, L9.3 L105, L9.5 L117, L9N CM2380 L124B, QSC8.3 CM2250, QSC8.3 CM2880 C102, QSC8.3 CM554, QSC8.3 CM850(CM2850), QSL9 CM2250, QSL9 CM2250 L115, QSL9 CM2350 L102, QSL9 CM2350 L107, QSL9 CM2350 L118, QSL9 CM2350 L122, QSL9 CM554, QSL9 CM850(CM2850), QSL9 G CM558, QSL9 M CM2250 L106, QSL9.3 CM2880 L113 | | | |



[SMALL](#) | [MEDIUM](#) | [LARGE](#)

| Cart | Ref No | Part Number | Part Description | Required | Remarks |
|------------------------------|--------|-------------|------------------|----------|--|
| View My Cart | | | | | |
| | | EH97007-12 | Alternator Drive | | MR - ALTERNATOR DRIVE...(More) |

| | | | | | |
|--|--|--|--|--|------------------------------|
| | | | | | Tensioner Pulley Type: |
| | | | | | Standard |
| | | | | | Water Pump Pulley Diameter |
| | | | | | (mm): 110.74 |
| | | | | | Belt Supplier: Cummins |
| | | | | | Required Belt Length (mm): |
| | | | | | N/A |
| | | | | | Belt Tensioner Supplier: |
| | | | | | Cummins |
| | | | | | Damper Pulley Effective |
| | | | | | Diameter (mm): 173.76 |
| | | | | | Engine Design Phase: Current |
| | | | | | Product |
| | | | | | Tall Tensioner Bracket: No |
| | | | | | Engine Family: C Series |
| | | | | | Alternator Manufacturer / |
| | | | | | Model: |
| | | | | | Bosch N-1 up to 14V/110A, |
| | | | | | Bosch N-1 up to 28V/80A, |
| | | | | | Delco Remy 20 SI up to 12V/ |
| | | | | | 60A, |
| | | | | | Delco Remy 20 SI up to 24V/ |
| | | | | | 60A, |
| | | | | | Delco Remy 22 SI 12V/100A, |
| | | | | | Delco Remy 22 SI 12V/130A, |
| | | | | | Delco Remy 22 SI 24V/70A, |
| | | | | | Prestolite LNA 9524 |
| | | | | | Brazil May Use P/N 3971876 |
| | | | | | Instead of P/N 3935015 |
| | | | | | Brazil May Use P/N 3967188 |

| | | | | | |
|--------------------------|----|-------------------------|-------------------------------|---|--------------------|
| | | | | | Instead of 3937553 |
| | | | | | |
| <input type="checkbox"/> | 1 | 3900633 | Hexagon Flange Head Cap Screw | 1 | M8 X 1.25 X 50 |
| <input type="checkbox"/> | 2 | 3282081 | Hexagon Flange Head Cap Screw | 1 | M10 x 1.50 x 75 |
| <input type="checkbox"/> | 3 | 3925186 | Flat Head Cap Screw | 2 | M8 x 1.25 x 25 |
| <input type="checkbox"/> | 4 | 3910901 | Hexagon Flange Head Cap Screw | 1 | M10 x 1.50 x 55 |
| <input type="checkbox"/> | 5 | 3288812 | V Ribbed Belt | 1 | |
| <input type="checkbox"/> | 6 | 3935013 | Dust Shield | 1 | |
| <input type="checkbox"/> | 7 | 3925697 | Belt Tensioner Bracket | 1 | |
| <input type="checkbox"/> | 8 | 3935229 | Idler Shaft | 1 | |
| | 9 | 3937553 | Belt Tensioner | 1 | |
| <input type="checkbox"/> | 10 | 3935015 | Idler Pulley | 1 | |

© 2019 Cummins Inc., Box 3005, Columbus, IN 47202-3005 U.S.A.
Terms of Use and Disclaimers | Recommended System Requirements
Need Assistance? Please click on the Contact Us button in the top right corner of any page.